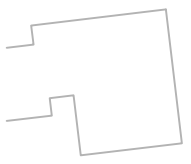
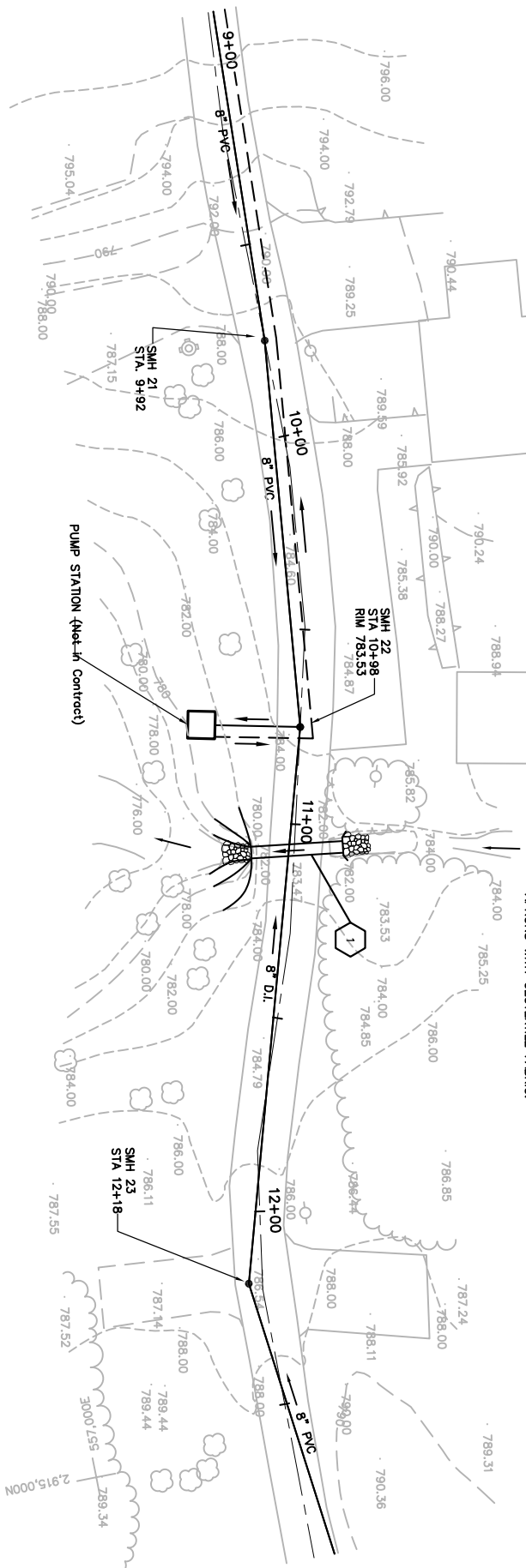


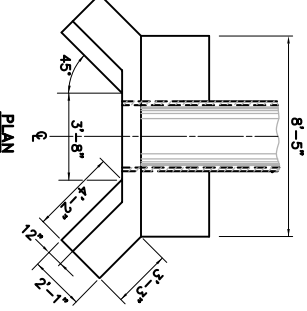
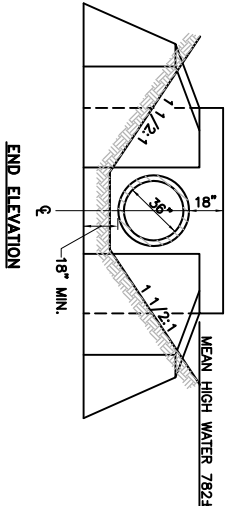
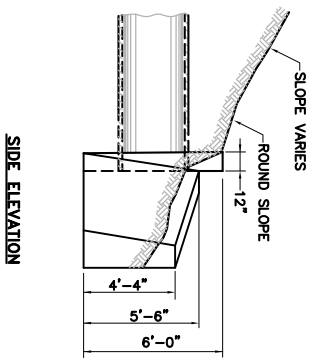
REDFIELD ROAD

1 STA. 11+09, 12.5' LT. TO STA. 11+07, 12.5' RT. CONSTRUCT CONCRETE HEADWALLS, LT. & RT. CONSTRUCT 25 L.F.-36" RCP, INV. OUT = 780.83
 CONSTRUCT 5' WIDE BY 10' LONG BY 12 INCHES THICK STONE APRONS WITH GEOTEXTILE FABRIC.



PLAN
SCALE: 1"=20'

NOTES:
 INSTALL HAYBALES AND SILTATION FENCE ALONG ROADWAY AND THE ENBAKMENT.
 ENCASE 8" D.I. PIPE IN CONCRETE 10' EITHER SIDE OF CULVERT CROSSING.
 MEAN HIGH WATER LINE ELEVATION APPROXIMATELY 782.00E.



CONCRETE HEADWALL WITH 45° WINGS
NOT TO SCALE

'AS-BUILT'

I HEREBY CERTIFY THAT TO THE BEST OF MY KNOWLEDGE, BASED UPON CONSTRUCTION RECORDS PROVIDED BY THE RESIDENT ALIEN WORK, SHOWN ON THIS DRAWING HAS BEEN COMPLETED AS SHOWN.

HOYLE, TANNER & ASSOCIATES, INC.
 SIGNED _____
 DATE _____

CHERRY VALLEY SEWER DISTRICT LEICESTER, MASSACHUSETTS <small>PLAN AND PROFILE</small>		Hoyle, Tanner & Associates, Inc. <small>150 Dow Street • Manchester • New Hampshire 03101</small> Consulting Engineers		PROJECT NO. 105707	1. AS-BUILTS		C.B. J.H. J.H. 12/00	
DRAINAGE IMPROVEMENT PLAN		SCALE: AS SHOWN	DATE: APRIL 2000	DES. BY JAH	DR. BY RCP	CHKD. BY NLT	DO NOT SCALE DRAWING	DR. BY CHKD. BY APPD. BY DATE