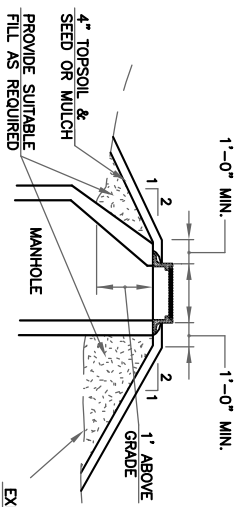
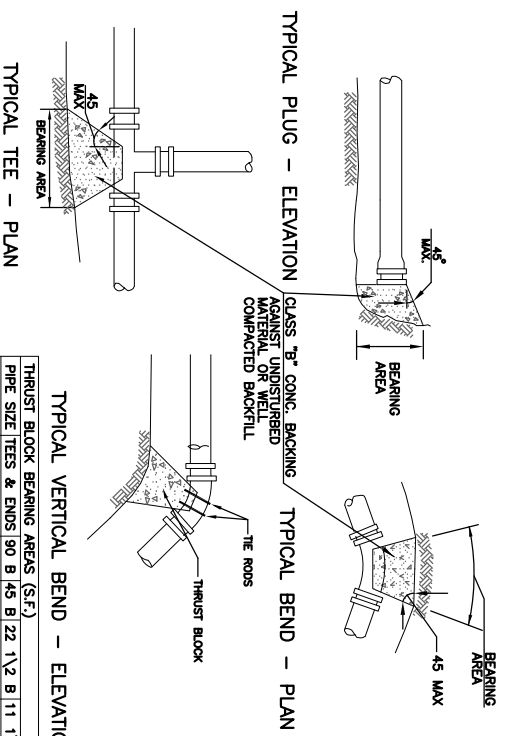


SHALLOW MANHOLE DETAILS
NOT TO SCALE



MOUNDING DETAIL
NOT TO SCALE

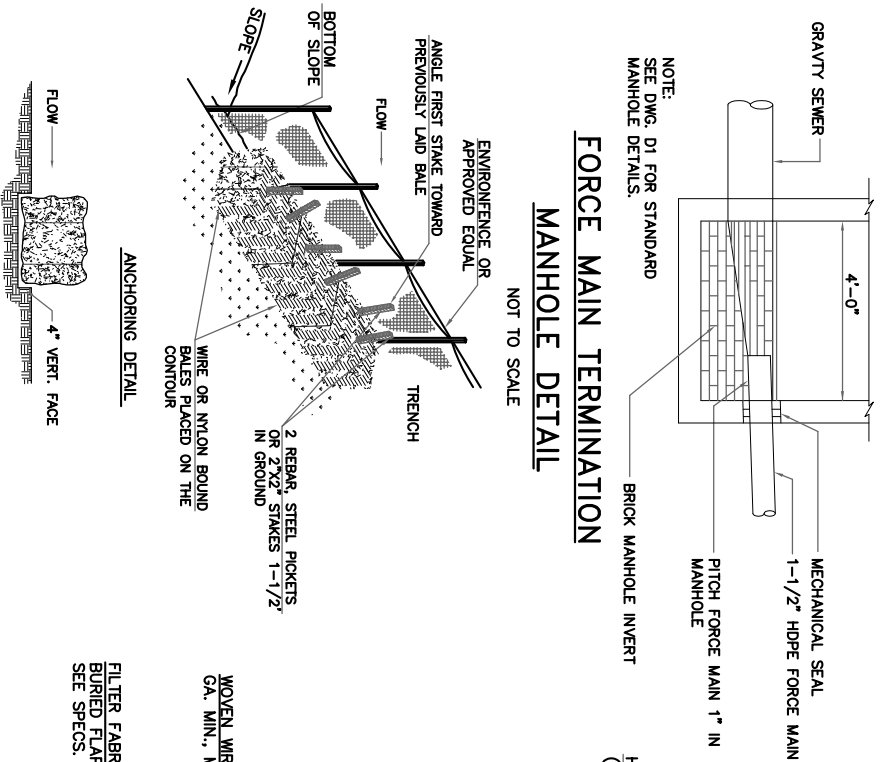


1. BLOCK WIDTH SHALL BE EQUAL TO OR NOT GREATER THAN TWICE THE BLOCK HEIGHT.
2. PIPE JOINTS SHALL NOT BE ENCASED WITH CONC.

TYPICAL VERTICAL BEND - ELEVATION

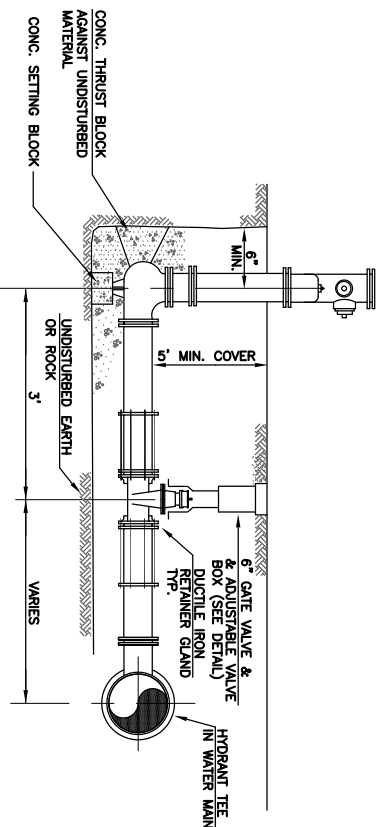
THRUST BLOCK BEARING AREAS (S.F.)	THRUST BLOCK BEARING AREAS (S.F.)
PIPE SIZE TEES & ENDS 80 B 45 B 22 1/2 B 11 1/4 B	6 4 2 1
12	12 16 9 5 2.5

FORCE MAIN TERMINATION MANHOLE DETAIL
NOT TO SCALE



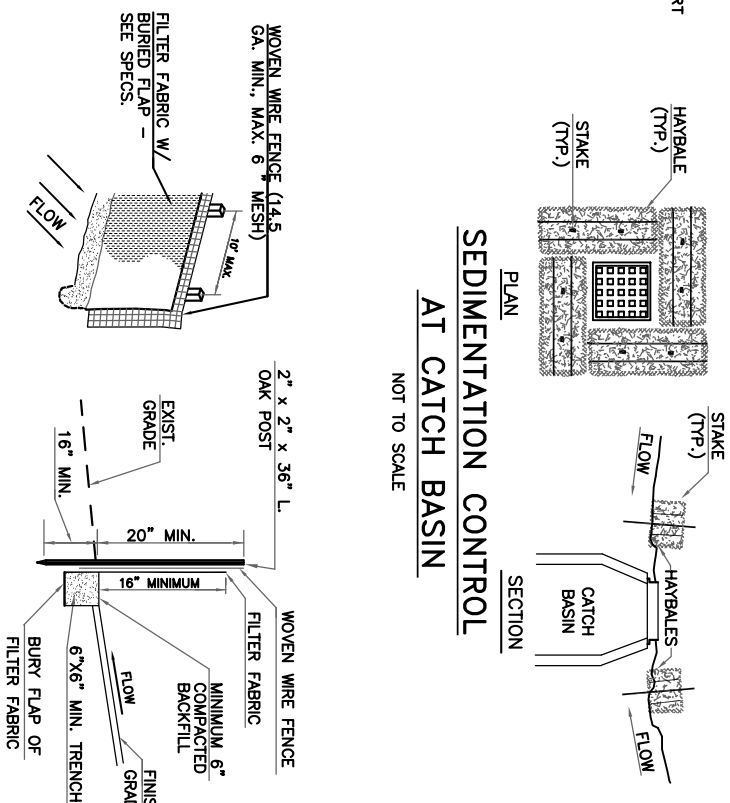
- CONSTRUCTION SPECIFICATIONS**
1. BALES SHALL BE PLACED IN A ROW WITH ENDS TIGHTLY ABUTTING.
 2. THE ADJACENT BALES BARRAGED IN THE SOIL A MINIMUM OF 4".
 3. BALE SPACING SHALL BE SILENTLY ADJUSTED TO MAINTAIN THE BALE SPACING THROUGHOUT THE BALE. THE FIRST STAKE IN EACH BALE SHALL BE ANGLED TOWARDS PREVIOUSLY LAID BALE TO FORCE BALES TOGETHER.
 4. INSPECTION SHALL BE FREQUENT AND REPAIR OR REPLACEMENT SHALL BE MADE PROMPTLY AS NEEDED. HAVE SPREAD THEIR UTILITY-NESS SO AS NOT TO BLOCK OR IMPED STORM FLOW OR DRAINAGE.

HAY BALE DETAIL
NOT TO SCALE



HYDRANT AND VALVE DETAIL
NOT TO SCALE

SEDIMENTATION CONTROL AT CATCH BASIN
NOT TO SCALE



- CONSTRUCTION NOTES FOR REINFORCATED SILT FENCE:**
1. SPACING OF WOOD FENCE POSTS NOT TO EXCEED 10'-0".
 2. SILT FENCE SHALL BE INSTALLED BEFORE ANY EARTH REMOVAL OR EXCAVATION TAKES PLACE.
 3. WOVEN WIRE FENCE TO BE FASTENED SECURELY TO POSTS WITH WIRE TIES OR STAPLES AT TOP, MID-POINT AND BOTTOM.
 4. FILTER FABRIC TO BE FASTENED SECURELY TO WOVEN WIRE FENCE. OVERLAP BY 6" FOLD AND STAPLE ADJOINING SECTIONS OF FILTER FABRIC. MAINTENANCE SHALL BE PERFORMED AS NEEDED, AND THE MATERIAL REMOVED WHEN 'BULGES' DEVELOP. DO NOT DEPOSIT MATERIAL NEAR WETLANDS OR WATERCOURSES.

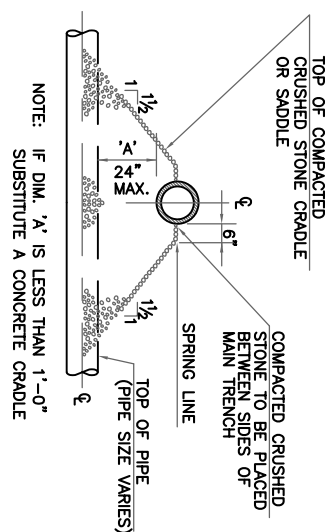
SILT FENCE DETAIL
NOT TO SCALE

'RECORD DRAWING'

I HEREBY CERTIFY THAT TO THE BEST OF MY KNOWLEDGE, BASED ON THE INFORMATION PROVIDED BY THE RESIDENT ENGINEER AND THE CONTRACTOR, ALL WORK SHOWN ON THIS DRAWING HAS BEEN COMPLETED AS SHOWN.

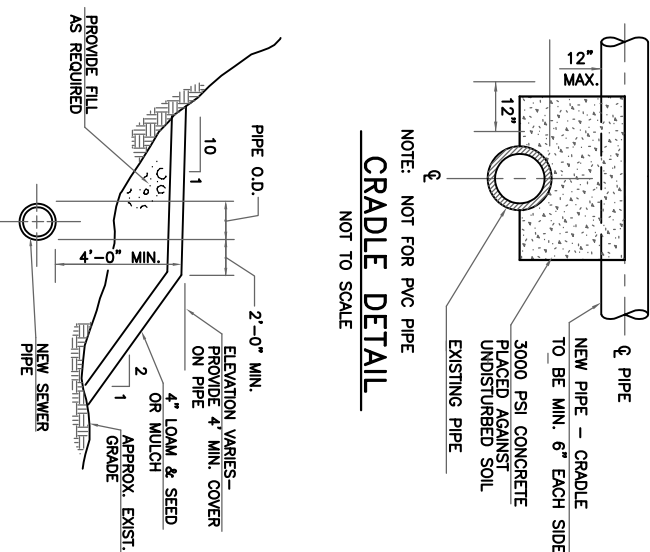
HOYLE, TANNER & ASSOCIATES, INC.

NOTE:
ALL PROJECT REQUIREMENTS AS SET FORTH ON THIS SHEET HAVE BEEN COMPLETED WITH THE CORRECTION OF CONSTRUCTION. ALL NOTE WORKING CORRECTIONS IN THIS DRAWING HAVE BEEN MADE AND UNDERSTOOD TO BE PART OF THIS DRAWING.

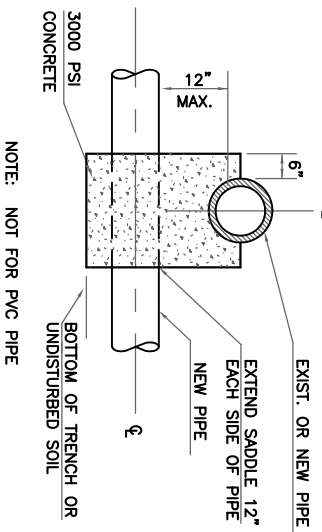


PIPE CROSSING DETAIL
NOT TO SCALE

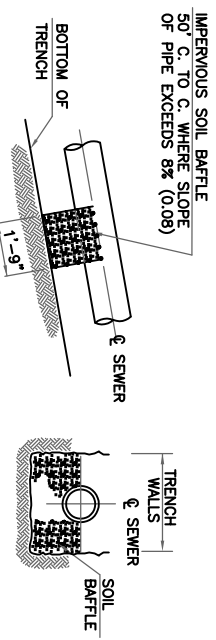
CRADLE DETAIL
NOT TO SCALE



SPECIAL FILL SECTION
NOT TO SCALE

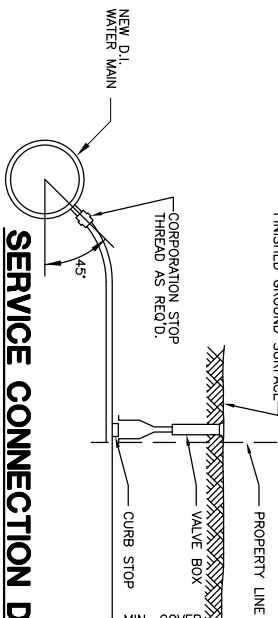


SADDLE DETAIL
NOT TO SCALE



TRENCH BAFFLE DETAIL
NOT TO SCALE

SERVICE CONNECTION DETAIL
NOT TO SCALE



CHERRY VALLEY SEWER DISTRICT
LEICESTER, MASSACHUSETTS

MISCELLANEOUS DETAILS

HTA Hoyle, Tanner & Associates, Inc.
150 Dow Street • Manchester • New Hampshire 03101
Consulting Engineers

SCALE: AS SHOWN DATE: APRIL 2001 DES. BY JAH DR. BY CAB CHKD. BY NLT

PROJECT NO.
105709

FILE NAME
ABMISCDCT

DO NOT SCALE DRAWING

REV.	DESCRIPTION	DR. BY	CHKD. BY	APPRO. BY	DATE
1.	RECORD DRAWING	C.B.	W.C.	W.C.	10/02

DRAWING NO.

36