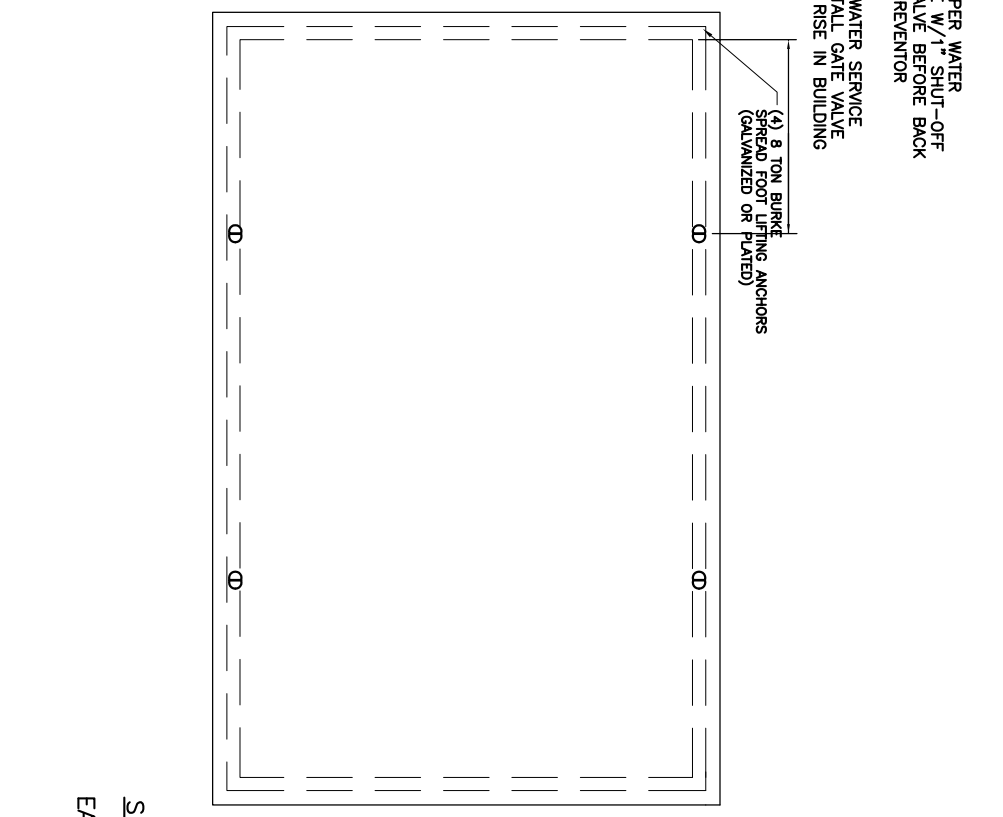
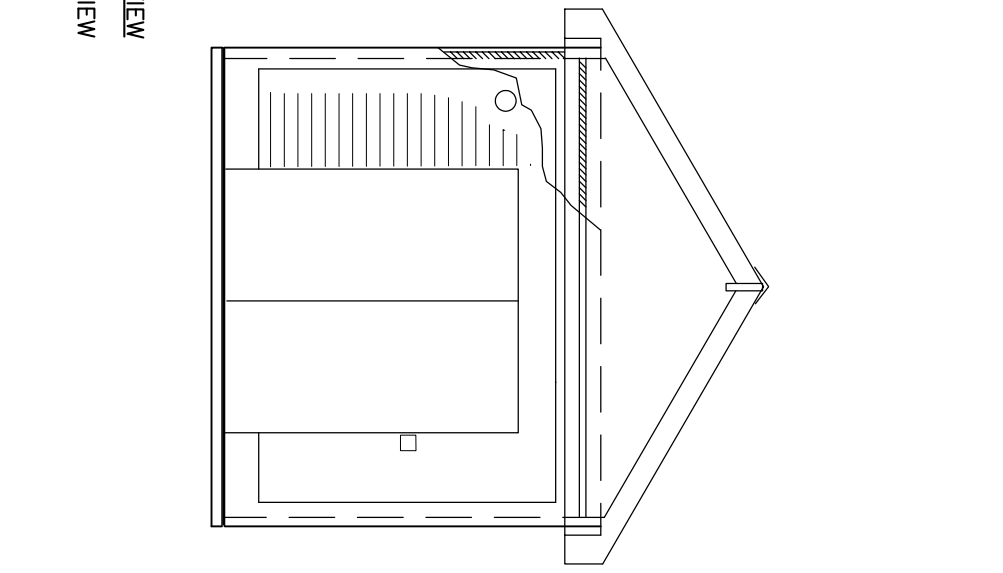


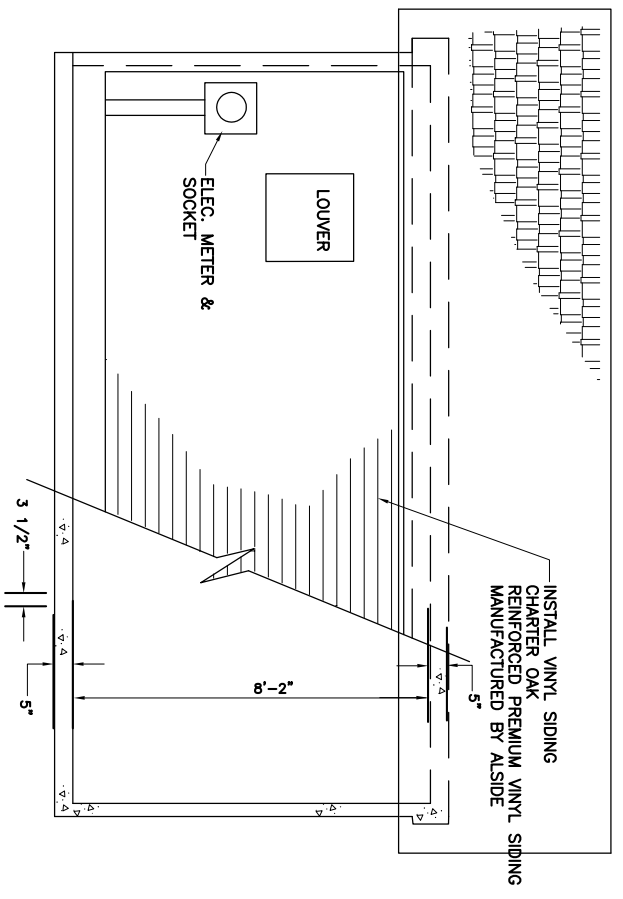
PLAN VIEW W/O ROOF



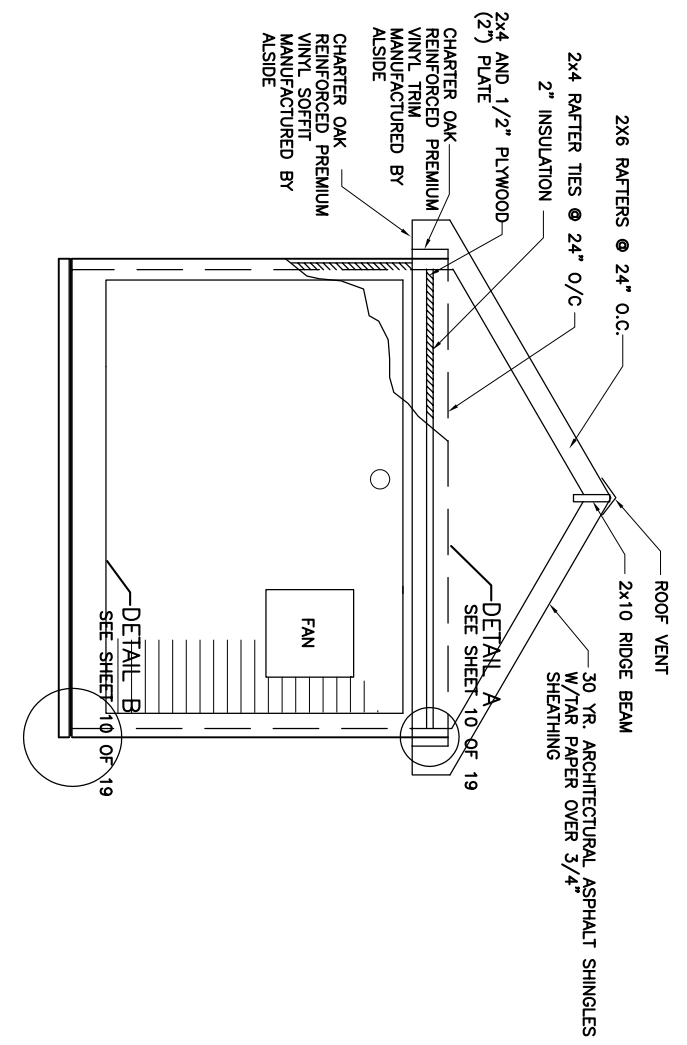
PLAN VIEW



SIDE VIEW EAST VIEW



SECTION A-A SOUTH VIEW



SIDE VIEW WEST VIEW

DESIGN NOTES:

- CONCRETE MINIMUM STRENGTH - 5,000 PSI @ 28 DAYS
- STEEL REINFORCEMENT - ASTM A-185 WELDED WIRE
- ASTM A-615 GRADE 60 REBAR
- COVER TO STEEL - 1" MINIMUM
- DESIGN LOADS:**
- FLOOR - LIVE LOAD = 150 PSF
- ROOF (MASSACHUSETTS) - SMART-BUILDING
- SIDEWALLS - WIND LOAD = 17 PSF (80 MPH)
- STATE BUILDING (MASSACHUSETTS)
- APPROX. WEIGHT:**
- COMPLETE BUILDING - 24 TONS
- (WALLS AND ROOF - 17 TONS)
- (FLOOR - 7 TONS)
- FOUNDATION:**
- SEE SHEET D-1 SHEET 19 OF 19 FOR FOUNDATION DETAILS AND NOTES.

'RECORD DRAWING'

I HEREBY CERTIFY THAT TO THE BEST OF MY KNOWLEDGE, BASED UPON CONSTRUCTION RECORDS PROVIDED BY THE RESIDENT ENGINEER AND THE CONTRACTOR, ALL WORK SHOWN ON THIS DRAWING HAS BEEN COMPLETED AS SHOWN.

HOYLE, TANNER & ASSOCIATES, INC.

NOTE:

ALL PROJECT REQUIREMENTS AS SET FORTH ON THIS SHEET HAVE BEEN COMPLETED DURING THE COURSE OF CONSTRUCTION. ALL NOTE WORKING CONTAINED HEREON IS UNDERSTOOD TO BE PAST TENSE.

PROJECT NO.	105710	S.R.	W.C.	W.C.	3/03
FILE NAME	BLDG-DET-TOW	DR. BY	CHKD. BY	APPL. BY	DATE
DO NOT SCALE DRAWING	1. RECORD DRAWING	REV.	DESCRIPTION		

HTA Hoyle, Tanner & Associates, Inc.
150 Dow Street • Manchester • New Hampshire 03101
Consulting Engineers

SCALE: AS SHOWN	DATE: FEB. 2002	DES. BY JAH	DR. BY CAB	CHKD. BY NLT
-----------------	-----------------	-------------	------------	--------------

CHERRY VALLEY SEWER DISTRICT
LEICESTER, MASSACHUSETTS
PLAN AND PROFILE
TOWTAID PARK PUMP STA.
PRECAST CONCRETE BLDG. DETAILS

DRAWING NO.

9