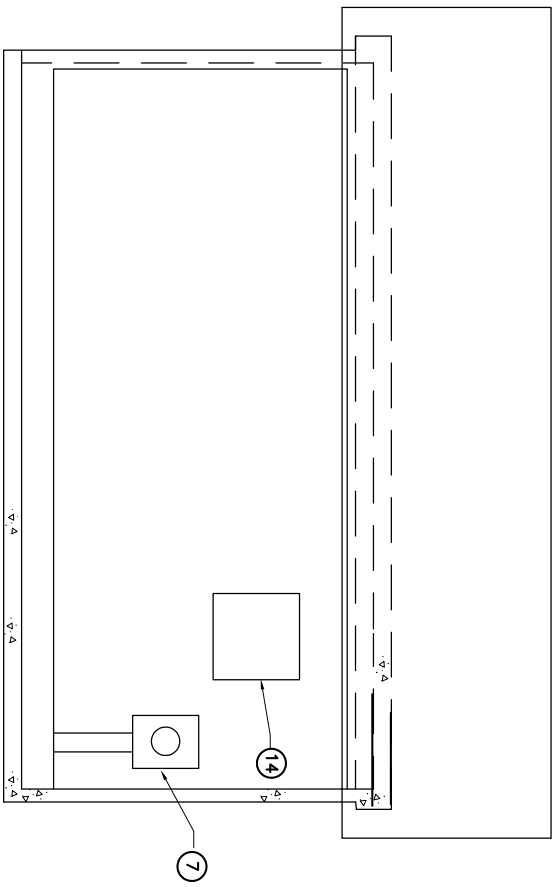


PLAN VIEW W/O ROOF

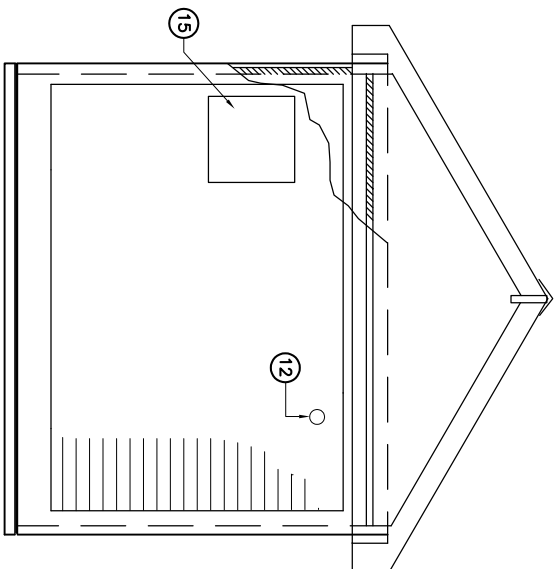


SECTION A-A

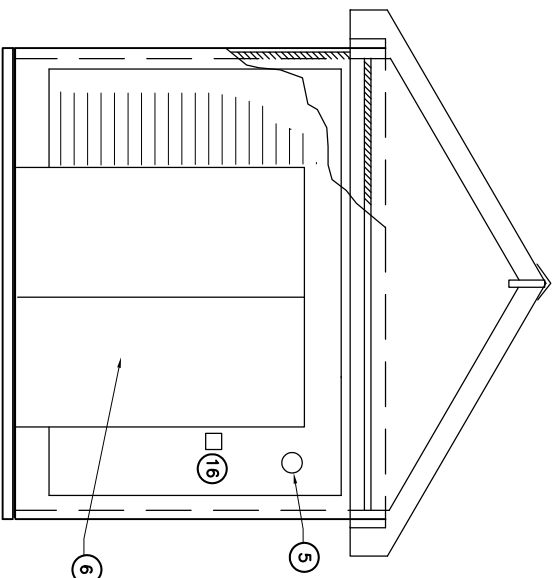
SOUTH VIEW (McCarthy)

PRECAST CONCRETE BUILDING DETAILS

SCALE: 1/2"=1'-0"



SIDE VIEW EAST VIEW



SIDE VIEW WEST VIEW

WEST VIEW

- LEGEND**
- ① PRECAST CONCRETE PUMP BUILDING 10'-4"x16'-10"x8'-2" HIGH I.D.
 - ② 4' TWIN BULB FLUORESCENT LIGHT FIXTURES.
 - ③ 5kW ELECTRIC UNIT HEATER.
 - ④ GFCI RECEPTACLE.
 - ⑤ 75W EXTERIOR LIGHT.
 - ⑥ (2) 3'-0"x6'-8" STEEL DOOR FRAME (3 3/4") AND HARDWARE.
 - ⑦ ELECTRIC METER AND SOCKET.
 - ⑧ BUILDING MAIN DISCONNECT SWITCH.
 - ⑨ MAIN DISTRIBUTION PANEL.
 - ⑩ CONTROL PANEL.
 - ⑪ SINGLE POLE SWITCH.
 - ⑫ 4" DIA. WALL THIMBLE FOR GENERATOR EXHAUST.
 - ⑬ BATTERY CHARGER.
 - ⑭ ROOM INLET LOUVER
 - ⑮ ROOM OUTLET FAN & LOUVER
 - ⑯ KEY SWITCH - FAN/LOUVER MANUAL SWITCH
 - ⑰ TELEMETRY SYSTEM
 - ⑱ VARIABLE SPEED DRIVES

RECORD DRAWING

I HEREBY CERTIFY THAT TO THE BEST OF MY KNOWLEDGE, BASED UPON CONSTRUCTION RECORDS PROVIDED BY THE CONTRACTOR, ALL WORK SHOWN ON THIS DRAWING HAS BEEN COMPLETED AS SHOWN.

HOWLE, TANNER & ASSOCIATES, INC.

NOTE:

ALL PROJECT REQUIREMENTS AS SET FORTH ON THIS SHEET HAVE BEEN COMPLETED DURING THE COURSE OF CONSTRUCTION. ALL NOTE WORKING CONTAINED HEREON IS UNDERSTOOD TO BE PAST TENSE.

PROJECT NO.
105710

FILE NAME
BLD-LAY-McCAR

DO NOT SCALE DRAWING

HTA Hoyle, Tanner & Associates, Inc.
150 Dow Street • Manchester • New Hampshire 03101
Consulting Engineers

SCALE: AS SHOWN

DATE: FEB. 2002

DES. BY
JAH

DR. BY
CAB

CHKD. BY
NLT

REV.

1. RECORD DRAWING

DESCRIPTION

S.R. W.C. W.C. 3/03

DR. BY CHKD. BY APPD. BY DATE

CHERRY VALLEY SEWER DISTRICT
LEICESTER, MASSACHUSETTS

PLAN AND PROFILE

McCarthy AVE.
PUMP BUILDING LAYOUT

DRAWING NO.

5